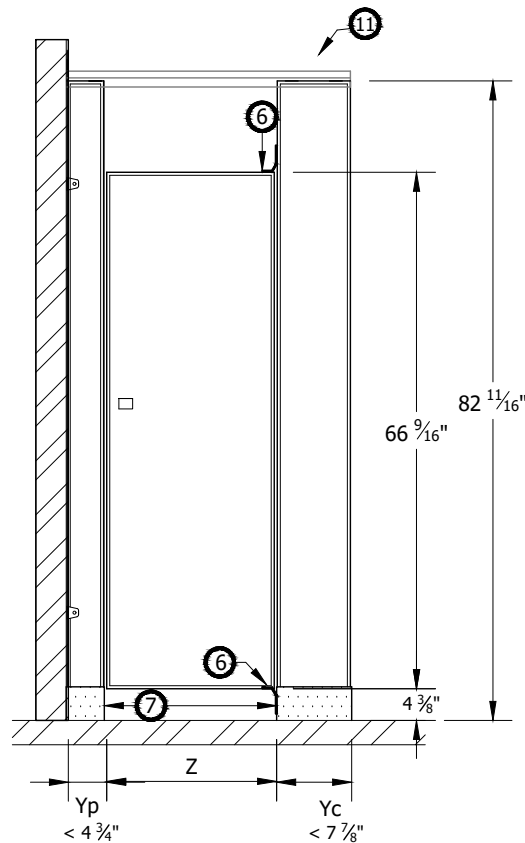
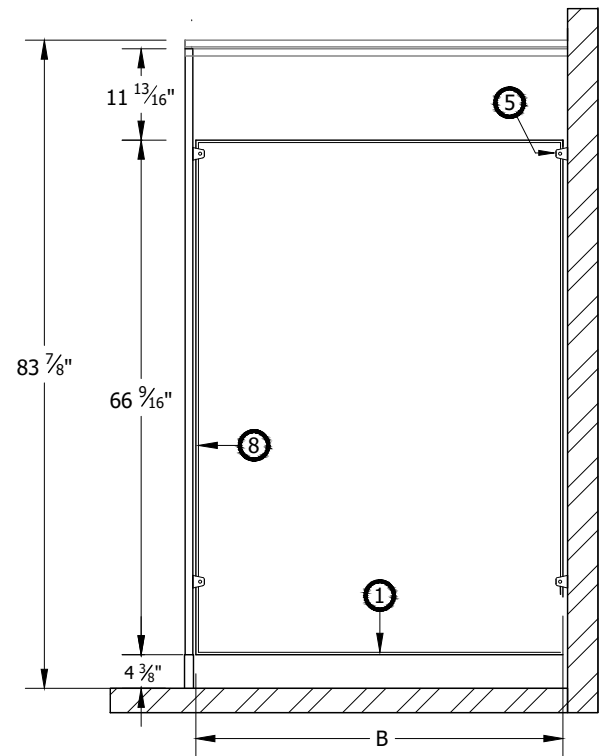


UPPER VIEW



FRONT VIEW



SIDE VIEW

- B: LATERAL PANEL
- Yp: WALL PILASTER
- Yc: CENTRAL PILASTER
- Yt: TERMINAL PILASTER
- Z: DOOR

"B" MEASURES (PANEL)					
35 3/16"	38 3/16"	48 1/16"	53 3/8"	59 1/8"	70 3/16"

"Y" MEASURES (PILASTERS)									
4 3/4"	5 7/8"	6 1/16"	7 7/8"	9 1/8"	11 3/16"	13 3/16"	15 3/8"	19 13/16"	23 5/8"

"Z" MEASURES (DOORS)				
21 5/8"	24"	33 3/16"	35 1/16"	39 3/8"

**PIECES DESCRIPTION**

- 1.- STANDARD LATERAL PANEL.
- 2.- PILASTER.
- 3.- STANDARD DOOR.
- 4.- UPPER HINGE.
- 5.- "U" BRACKET.
- 6.- LOWER HINGE.
- 7.- STAINLESS STEEL SHOE.
- 8.- STAINLESS STEEL PERIMETER TRIM.
- 9.- SLIDE LATCH.
- 10.- PULL TAB.
- 11.- STAINLESS STEEL REINFORCEMENT 22 GAUGE.

**5300 STANDARD REINFORCED SHOWER MODEL**

The model has 82 11/16" (2.10 meters) pilasters, 66 1/2" (1.69 meters) side panels and doors tall. Additionally they have a lime stainless steel reinforcement 22 type 304 providing the necessary solidity to the whole. The stall is built with high resistant materials to corrosion and are build for high traffic areas



NAME: MODEL STANDARD REINFORCED SHOWER 5300

SCALE: 1:25 DIMENSIONS: INCHES

DATE: JULY, 2022 DRAWN: JLAR PLANE NUMBER: 5300-01