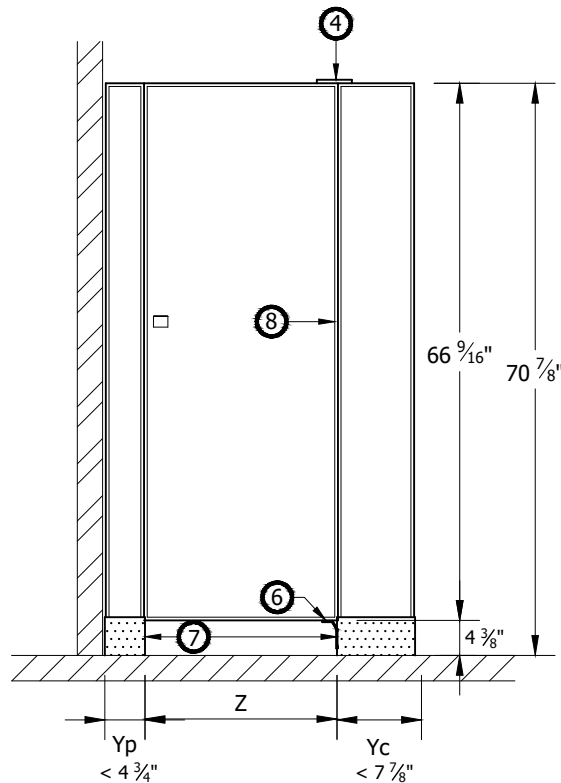
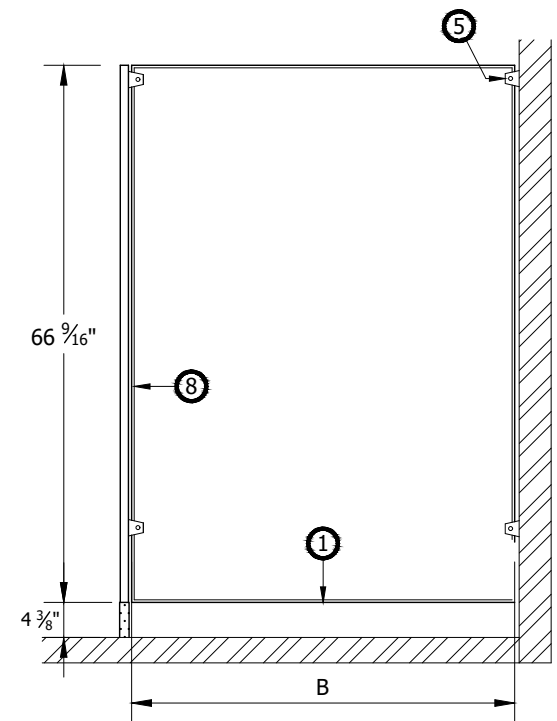


TOP VIEW



FRONT VIEW



SIDE VIEW

B: LATERAL PANEL
 Yp: WALL PILASTER
 Yc: CENTRAL PILASTER
 Yt: TERMINAL PILASTER
 Z: DOOR

"B" MEASURES (PANEL)					
35 7/16"	38 3/16"	48 3/16"	53 1/8"	59 1/8"	70 1/16"

"Y" MEASURES (PILASTERS)									
4 3/4"	5 7/8"	6 1 1/16"	7 7/8"	9 7/16"	11 3/16"	13 3/8"	15 3/8"	19 1 1/16"	23 5/8"

"Z" MEASURES (DOORS)				
21 5/8"	24"	33 7/16"	35 7/16"	39 3/8"

PIECES DESCRIPTION
1.- STANDARD LATERAL PANEL.
2.- PILASTER.
3.- STANDARD DOOR.
4.- UPPER HINGE.
5.- "U" BRACKET.
6.- LOWER HINGE.
7.- STAINLESS STEEL SHOE.
8.- STAINLESS STEEL PERIMETER TRIM.
9.- SLIDE LATCH.
10.- PULL TAB.

5200 STANDARD PLUS MODEL

The model has pilasters of 70 7/8" (1.80 meters), panels sides and doors 66 1/2" (1.69 meters) high. Shower screens can be with or without dressing room and be installed on the floor or the curb, for their materials and construction it resist moisture, are reinforced for continuous use.

NAME: MODEL STANDARD PLUS 5200		
SCALE: 1:25	DIMENSIONS: INCHES	
DATE: JULY, 2022	DRAWN: JLAR	PLANE N° 5200-01