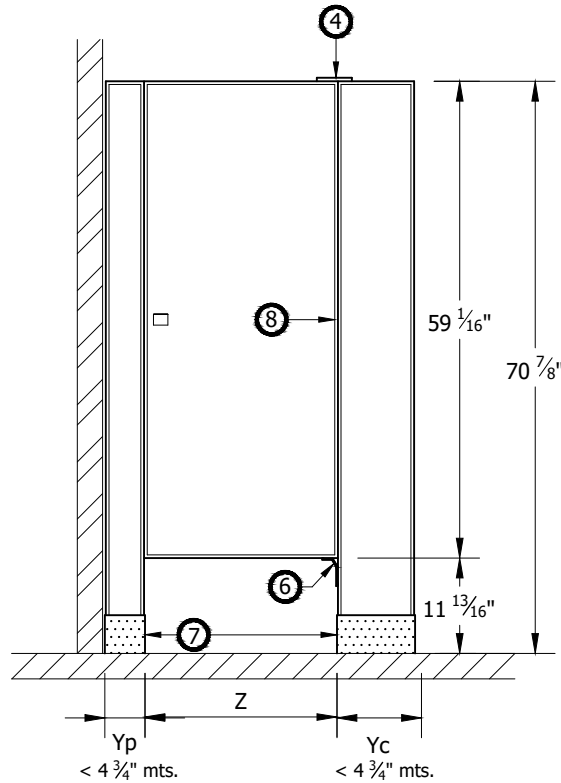
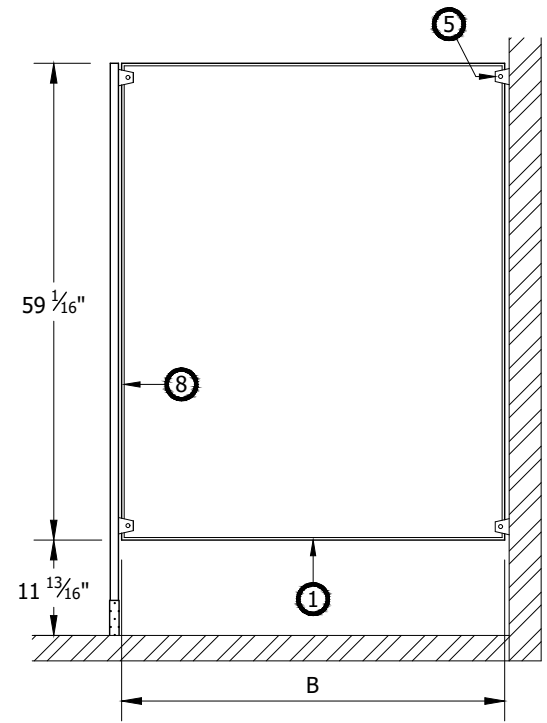


UPPER VIEW



FRONT VIEW



LATERAL VIEW

B: LATERAL PANEL  
 Yp: WALL PILASTER  
 Yc: CENTRAL PILASTER  
 Yt: TERMINAL PILASTER  
 Z: DOOR

"B" MEASURES (PANEL)					
35 7/16"	38 3/16"	48 3/16"	53 1/8"	59 1/8"	70 1/16"

"Y" MEASURES (PILASTERS)									
4 3/4"	5 7/8"	6 1/16"	7 7/8"	9 7/16"	11 3/16"	13 3/8"	15 3/8"	19 11/16"	23 5/8"

"Z" MEASURES (DOORS)				
21 5/8"	24"	33 3/16"	35 1/16"	39 3/8"

**PIECES DESCRIPTION**

- 1.- STANDARD LATERAL PANEL.
- 2.- PILASTER.
- 3.- STANDARD DOOR.
- 4.- UPPER HINGE.
- 5.- "U" BRACKET.
- 6.- LOWER HINGE.
- 7.- STAINLESS STEEL SHOE.
- 8.- STAINLESS STEEL PERIMETER TRIM.
- 9.- SLIDE LATCH.
- 10.- PULL TAB.

**4200 STANDARD MOUNTING STYLE**

The Standard model meets the characteristics of high resistance and magnificent presentation with the fixing system to the floor that characterizes SANILOCK™; They are made to be fixed on the floor and walls. It can be installed between walls, free or corner walls.



NAME:			MODEL STANDARD 4200		
SCALE:		1:25		DIMENSIONS:	
				INCHES	
DATE:		DRAWN:		PLAN NUMBER:	
JULY, 2022		JLAR		4200-01	